



ORION ENGINEERING s.r.l

FOOD TECHNOLOGIES & SERVICE

 info@orion-eng.it
  +39 370 3711521



OUR HISTORY & MISSION

«We are firmly convinced that mankind and environment must stay at the center of an ethical and sustainable activity as key of success...»

- Eng. Julio Cesar Cáceres
- Co-partner & CEO Orion Engineering s.r.l.



- **ORION Engineering s.r.l.** company was founded after over 30 years of partnerships with national and international market's best Food Processing players.
- **ORION Engineering s.r.l.** is specialized on the development of «*taylor-made*» solutions for agri-food prototypes and installations for middle and large production.
- **ORION Engineering s.r.l.** can count on a multidisciplinary team qualified on different lateral skills.
- The daily effort, together with a constant activity of research and development, marked the company's worldwide success.





OUR PHILOSOPHY

« Engineering System takes into account both business and our customer's technical necessities. »



- **«Engineering System»**
 - Whereby we introduce every discipline and feature distinguishing our team, generated by a structured development process - from the idealisation of the concept to the start -up of the system itself.
- **«Supply Chain»**
 - The complete vision of our project starts from the raw material up to the packaging, by taking into account all related activities.
 - Our technical staff combines those two features to ensure to the client a successful business without neglecting the impact of these activities on our eco-system.





- «TAILOR-MADE» SOLUTIONS MAKE ANY PROJECT UNIQUE
- «MULTIANNUAL EXPERIENCE» OF ITS PARTNERS AND COOPERATORS
- «INTERNATIONAL MULTI-DISCIPLINARY TEAM»



- QUALITY, INNOVATION AND SERVICES FOR A «SUSTAINABLE BUSINESS»
- «INDUSTRIAL SCRAPS RECYCLE FOR NEW PRODUCTS»
- SOLUTIONS BASED ON «EHEDG STANDARD»
- You can edit this text. This is a sample text. You can edit this text. This is a
- «SWARM INTELLIGENCE-HUB™» SUPPLY CHAIN INNOVATIVE PROJECTS
- INSTALLATIONS RECONFIGURABLE THROUGH THE «i-RM TECHNOLOGY™»

WHY CHOOSE ORION ENGINEERING?

«All our customers represents the centre of a unique project. We create, by consequence, solutions according to every single customer's necessity...»

- Eng. Julio Cesar Cáceres
Co-partner & CEO Orion Engineering s.r.l.

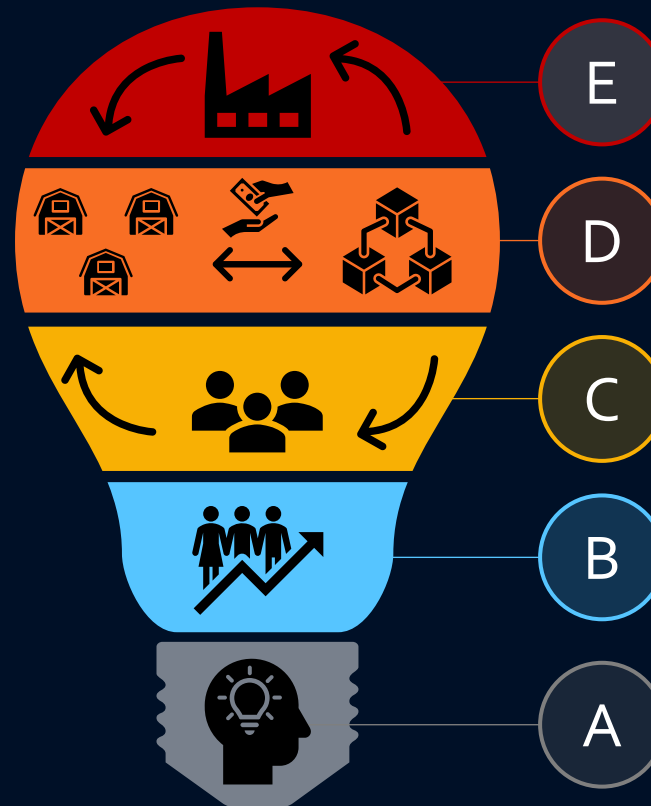




SWARM INTELLIGENCE-HUB™

The new Agri-industrial business concept that combines Mankind and Environment for a sustainable and prosperous Future.

- We always thought that an «Ethical and sustainable business» could be the key to success for a «profitable business» both on medium and short term.
- International institutions and governments are more and more focused on a consistent contribution for the development of projects that involves social and economical aspects for the rest of the chain and local population which sustains it too.
- Cooperation through our «**SWARM INTELLIGENCE-HUB™**» concept will allow you to «optimize costs» and «increase profit»
- Technical assistance of our experts in the agri-food and technological field will give you a guideline for the hub creation.
- That particular approach of new conception will have a relevant and usefull impact on the local population.



E TRANSFORMATION IMPACT

Each successful project must have solid roots intertwined with the local economic fabric.

D AGRI-INDUSTRIAL HUB

New concept of cooperative business in which single resources work together to maximize profits and optimize costs

C COOPERATION BETWEEN AGRICULTURISTS

The transformation process starts from the collection...supply of the raw material in a "Just-in-Time" way.

B OUTGROWERS & MICRO-FARMS

Thanks to the new micro-farms, agreed visions bring to the growth of the entire supply chain as well as its spread in a short period of time

A SUPPLY CHAIN ANALYSIS

A 360° evaluation of the productive supply chain, in order to define the keystone, i.e., the leaders of the entire business project.



A UNIQUE PARTNER STEP-by-STEP



AFTER SALES ASSISTANCE

- Technical assistance
- New products evaluation
- Spare parts supply

START-UP

- Installation start-up
- Training to operators

FEASIBILITY STUDY

- Technical consultancy for business parameters
- Supply chain analysis

ENGINEERING

- Plant Lay-out
- Installations in support to the plant
- Coordination and Technical Assistance together with the customer for the services installations on the plant.

INSTALLATION

- Coordination and Technical Assistance together with the customer civil works in support to the plant





PRODUCTS & SERVICES

«Dynamism and flexibility brings our company in line with expectations and standards of the most demanding customers»



- We are developing *«tailor-made»* solutions with the design and the building of machines and plants for the agri-food industry.
- Due to the continuous changes on emergent and globalised markets, we are focusing on the development of concept and prototypes which combines innovative technologies and a new approach of the plant's use.
- Each suggested solution is solid, strong and designed according to the **«EHEDG standard»** to guarantee the maximum quality in your production processes.
- We provide services of:
 - **«TECHNICAL CONSULTANCY FOR ENGINEERING AND SUPPLY CHAIN»**
 - **«RECYCLING AND RE-USE OF AGRI-FOOD SCRAPS»**
 - **«INDUSTRIAL ENGINEERING»**
 - **«INSPECTIONAL VISITS PRE-CAMPAIGN»**
- Our staff, thanks to the expertise of every single partner, focuses on three specific areas:
 - **ENGINEERING**
 - **FOODTECH**
 - **MAINTENANCE SERVICES**
- The cooperation under a unique brand will ensure you continuity, integration and a high added value, that only a reality like **ORION ENGINEERING s.r.l.** is able to offer to all its customers.





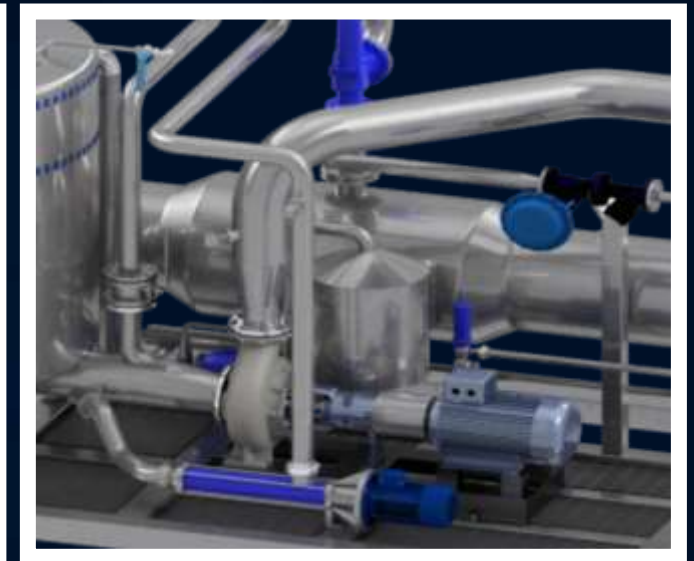
Shredded tomato can be transformed by a «Hot-Break» technology, in order to obtain tomato concentrate.

High temperature (90° C for about 10') inactivates pectic enzymes, naturally existing, avoiding the depolymerization of the pectin in galacturonic acid and decreasing in that way the product viscosity.

On the contrary, temperature in the «Cold-Break» technology (60-70°C) facilitates the enzymatic activity by making the product less sticky and more suitable for juice production, and there is the extraction and refining of the juice, removing peels and seeds as by-products of the process.

ENZYMATIC TREATMENT

HOT-BREAK & COLD-BREAK SYSTEM
«KORE 6.15 Series»

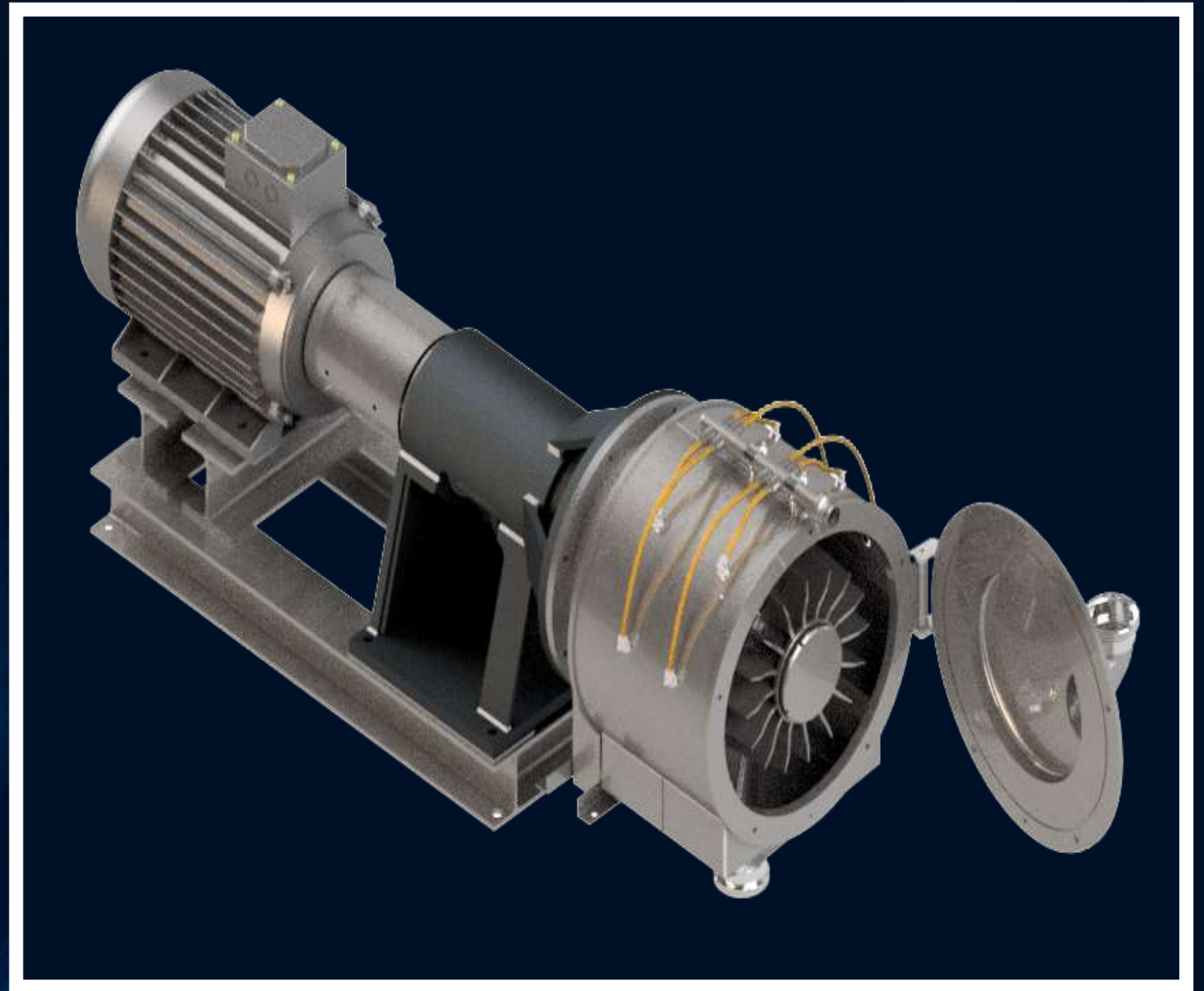




Turbo extractors are designed especially for the extraction and refining of puree, tomato and fruits juice processed with the «Hot-Break» or «Cold-Break» technology.

TURBO EXTRACTOR

EXTRACTOR UP TO 15 Ton/h OF TOMATO
«J15 Series»





ORION
ENGINEERING

The unite of multistage extraction is used for other fluid-based products which require the separation of fluids and liquids.

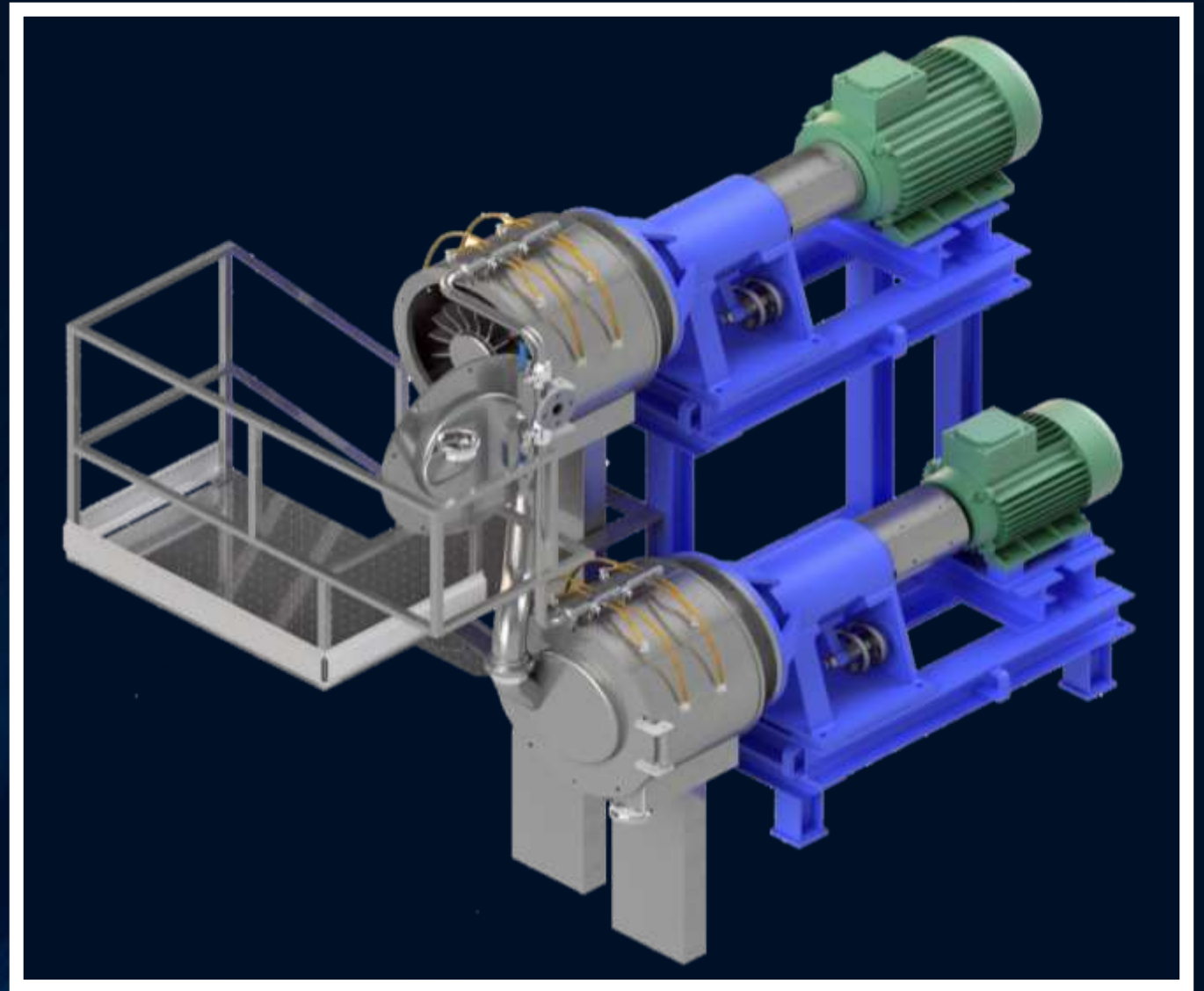
The product is fed at the first stage, where the rotor, with radial blades, distributes the product itself against the sieve and makes the separation between juice and peels, seeds and foreign matter.

The refining degree demanded is obtained by using sieves with different drilling dimensions.

The extraction degree is adjusted by increasing / decreasing the speed of rotation or the time spent by the product into the unit from the scoop to the screen

SYSTEMS OF MULTISTAGE JUICE EXTRACTION

PULPER / REFINER
«JX-PR15 Series»



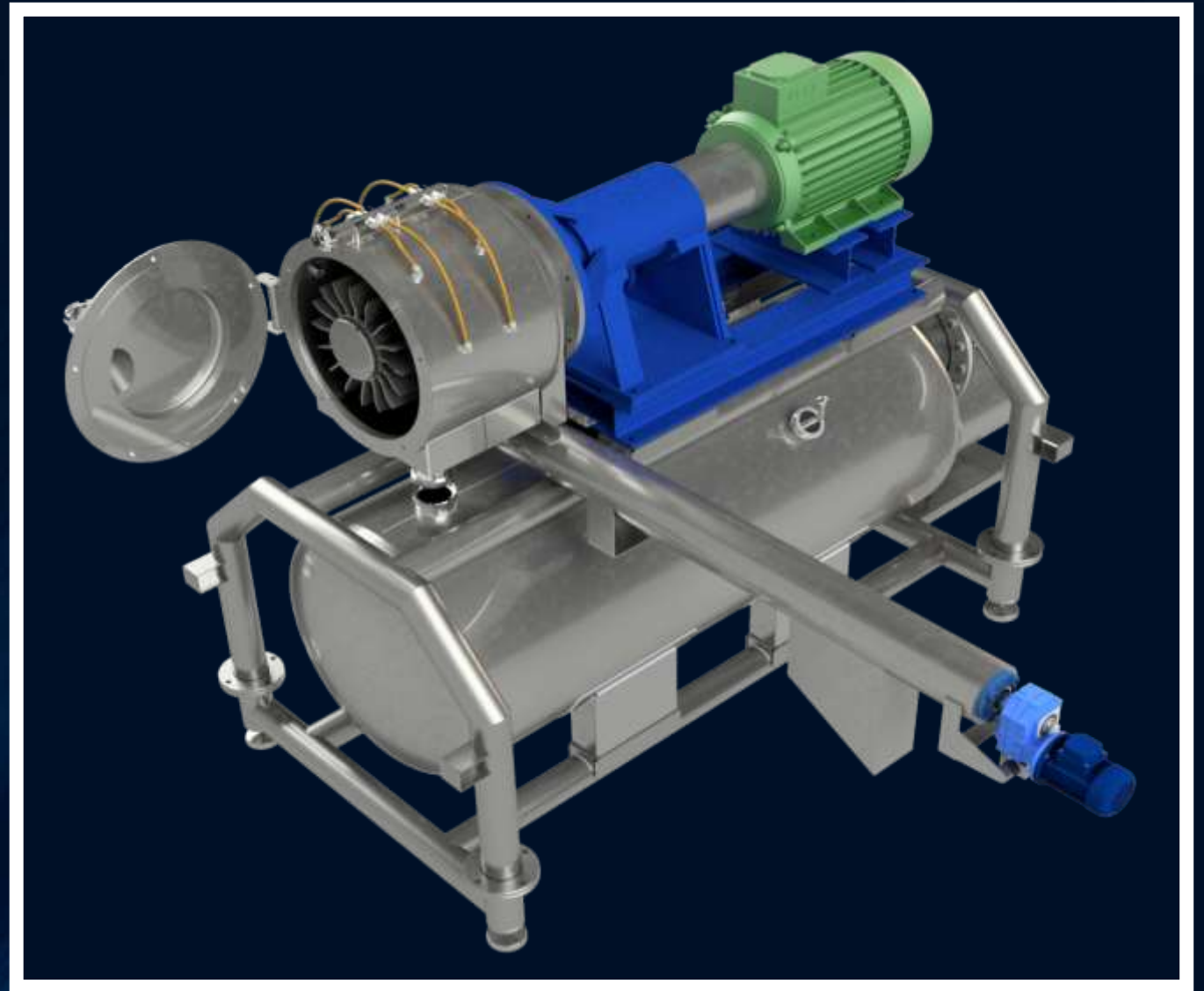


Solid and ready to start production, is the unit of «Extraction» or «Refining» «All-in-One», designed to guarantee the same performances and maximum flexibility and features of the standard unit.

It represents years of expertise and know-how, thanks to its versatility can work a high range of raw materials and obtain finished products that satisfy the highest quality parameters.

SYSTEMS OF JUICE EXTRACTION WITH BUFFER

JUICE EXTRACTOR OF 15 Ton/h
«ATHLAUA Series»





The forced circulation concentrate systems were originally designed for the concentrate of tomato juice.

Our evaporators «**CRATOS 5000 Series**» can be applied to all the fields of agri-food industry in which it is necessary to remove water from the raw material, in order to guarantee a finished product with high concentrates values as well as ideal organoleptic features.

CONCENTRATE SYSTEMS

FORCED CIRCULATION EVAPORATORS
«**CRATOS 5000 Series**» mod. 3.2S+HB1.5





The fluid to be treated at the entrance of the rotary drum filter goes into a feeding basin constructed in a way to permit to itself to spread all over the length of the filtering cylinder

The particles contained into the liquids come into contact with the filtering cylinder, which, by slowly rotating, brings them out by removing them with a scraping blade.

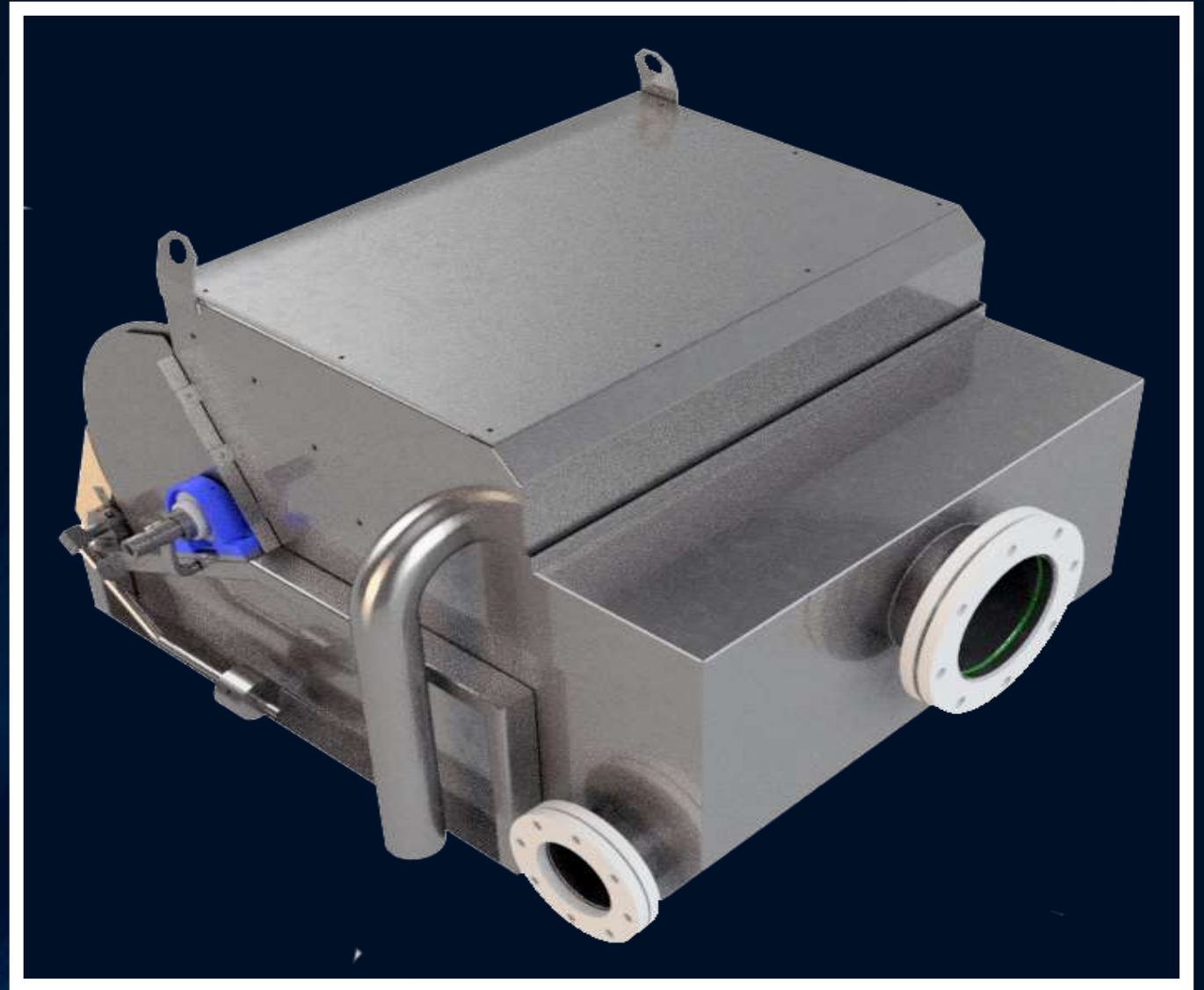
The filtered water passes through the cylinder and goes out through the lower filtering part, by acting as cleanser of the filtering surface.

An internal washing system of the filtering cylinder by sprayer nozzles, further ensures the water supply without particles and ready to repeat the production process.

FILTRATION SYSTEMS

ROTARY DRUM FILTER SYSTEM

«HYDRO-RDF.X Series»





ORION ENGINEERING S.r.l. undertakes an activity of ordinary and extraordinary maintenance on your systems with technical expertized personnel.

The «**scheduled maintenance**» of the machines can increase the plants' usege of the 30%; in addition to a saving up to 40% on the costs due to the closing of production's lines and machines.

Our maintenance activity can be done both on company's and third parties' machines.

MAINTENANCE & UPGRADE

PRE-CAMPAIGN TECHNICAL ASSISTANCE
TECHNICAL ASSISTANCE DURING PRODUCTION
INSPECTION VISITS & PREVENTIVE MAINTENANCE





Our activity of spare parts supply can be done both on company's or on third parties machines with original spares or spares adapted to the current needs of the machine in use.

SPARE PARTS SUPPLY

COMMERCIAL OR THIRD PARTIES SPARE PARTS
ADAPTED AND 100% GRANTED SPARE PARTS





CONTACTS

«Do not hesitate to contact us, we will be ready to offer you the best solution according to your business wherever you are»

Europe

ORION ENGINEERING S.r.l.
FOOD TECHNOLOGIES & SERVICE

Headquarter

Via Gobetti, 6 - 43036 Fidenza (PR) Italia
VAT : 02922990342

Operative office

Via La Bionda, 6 (Quartiere industriale)
43036 Fidenza (PR) Italia

Produttive Area

Strada Provinciale 359R, 127
43039 (Loc. Gerra)
Salsomaggiore Terme (PR) Italia

Pec: orionengineeringsrl@pec.it

REA Number: PR-277724

Asia Pacific

NRG HORIZON PTE. LTD.

Commercial Partner

2 Venture Drive, #14-02 Vision Exchange
Singapore 608526

Phone: +65 84987553
E-mail: info@nrghorizon.com

Innovation, Quality & Services together

www.orion-eng.it - info@orion-eng.it

Direct line: +39 370 3711521

